



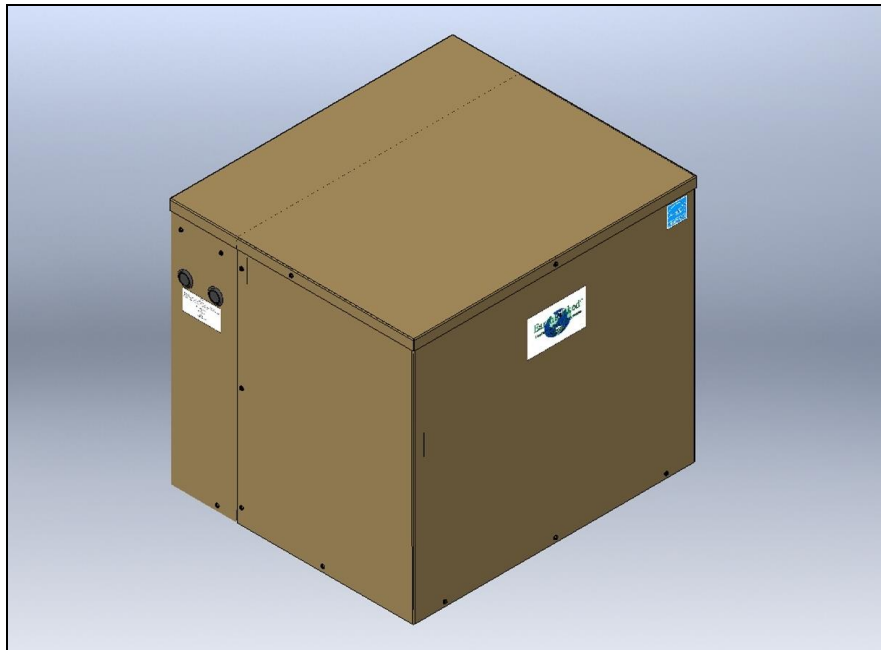
**EARTHLINKED**  
TECHNOLOGIES

**EarthLinked<sup>®</sup>**  
**SD Series Heating Option Kit**  
**Model SDHO-1872**  
*Installation Instructions*



**IMPORTANT!**

Installation of the Model SDHO-1872 Heating Option Kit enables the SD Compressor Unit to provide supplemental heated service water during **COOLING MODE OPERATION ONLY.**



### **Disclaimer**

Proper installation and servicing of the EarthLinked® Kit is essential to the Heating and Cooling Systems reliable performance. All EarthLinked® systems and kits must be installed and serviced by an authorized, trained technician who has successfully completed the training class and passed the final examination. Installation and service must be made in accordance with the instructions set forth in this manual and the *EarthLinked® Heating and Cooling Systems Installation Manual*. Failure to provide installation by an authorized, trained installer in a manner consistent with these manuals will void and nullify the limited warranty coverage for the system.

EarthLinked Technologies shall not be liable for any defect, unsatisfactory performance, damage or loss, whether direct or consequential, relative to the design, manufacture, construction, application or installation of the field specified components.

Earthlinked Technologies, Inc.

4151 South Pipkin Road

Lakeland, Florida 33811

tel. 863-701-0096 • fax 863-701-7796

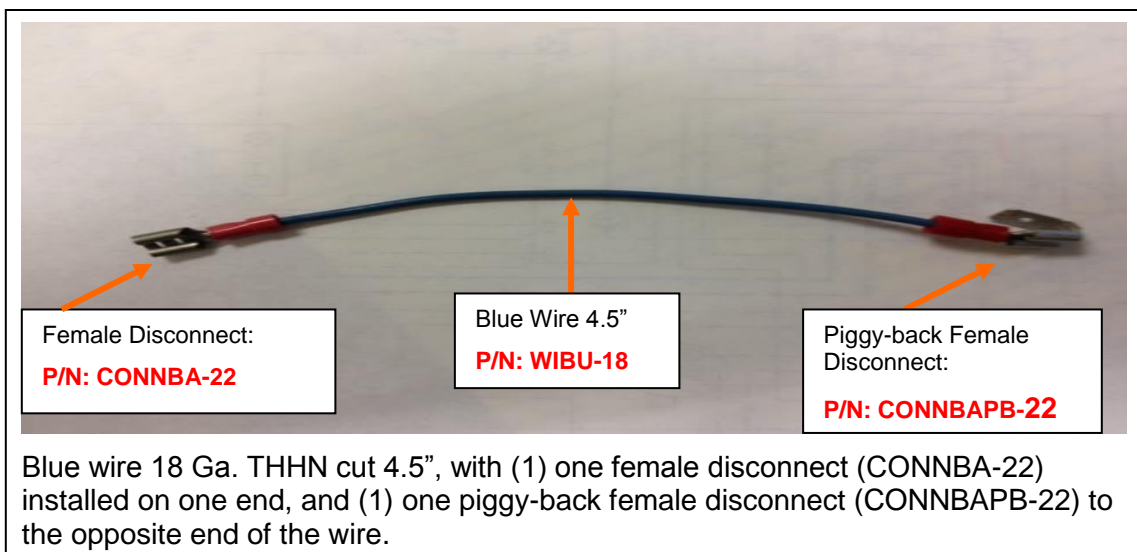
info@earthlinked.com • [www.earthlinked.com](http://www.earthlinked.com)

CSI # 23 80 00

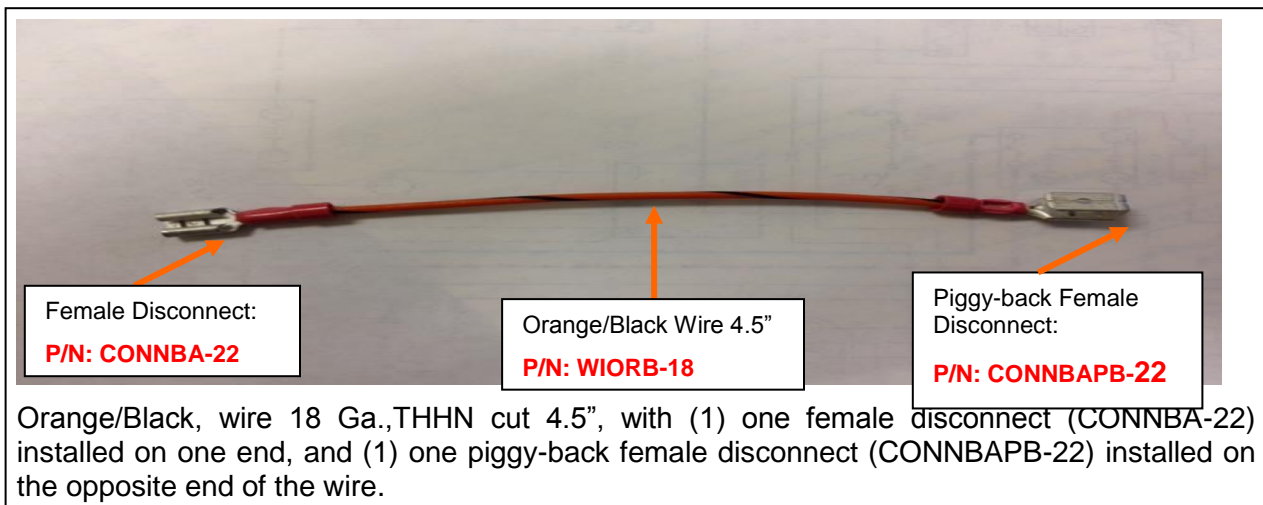
## Pre-Installation

Upon receipt of the Model SDHO-1872 Heating Option Kit, carefully check the contents of the Kit prior to starting the installation process. The components are listed in the following table:

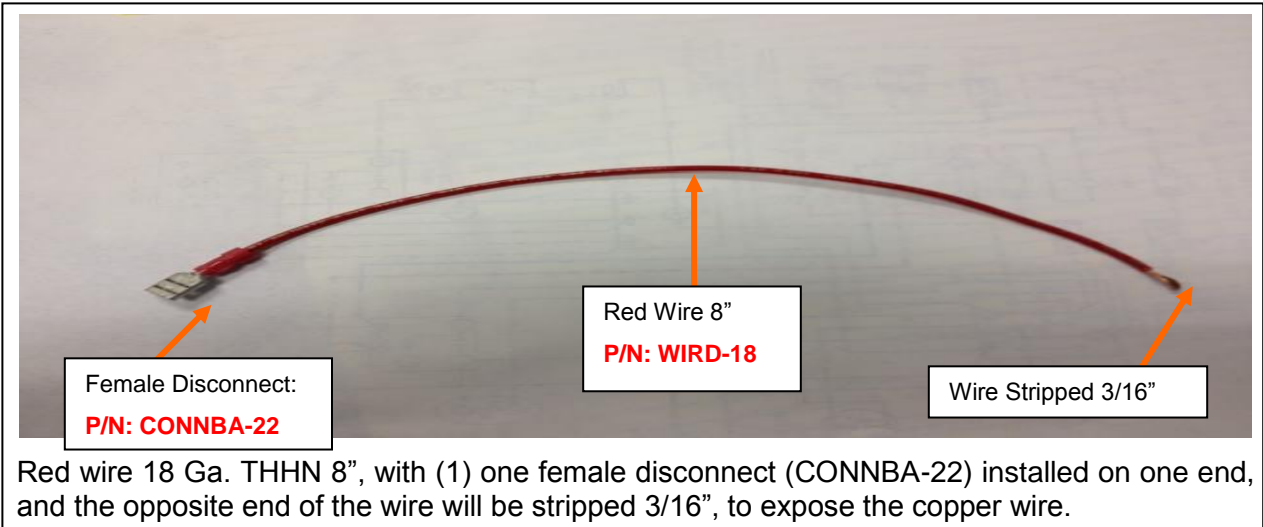
DESCRIPTION	QUANTITY	FIGURE
Blue Wire – 4.5” Long	1	1a.
Orange/Black Wire – 4.5” Long	1	1b.
Red Wire – 8” Long	1	1c.
Red Wire – 36” Long	1	1d.
Water Heat Relay	1	2.
Screws	2	3.
Tie Wraps	2	NA
Electrical Wiring Sticker	1	NA



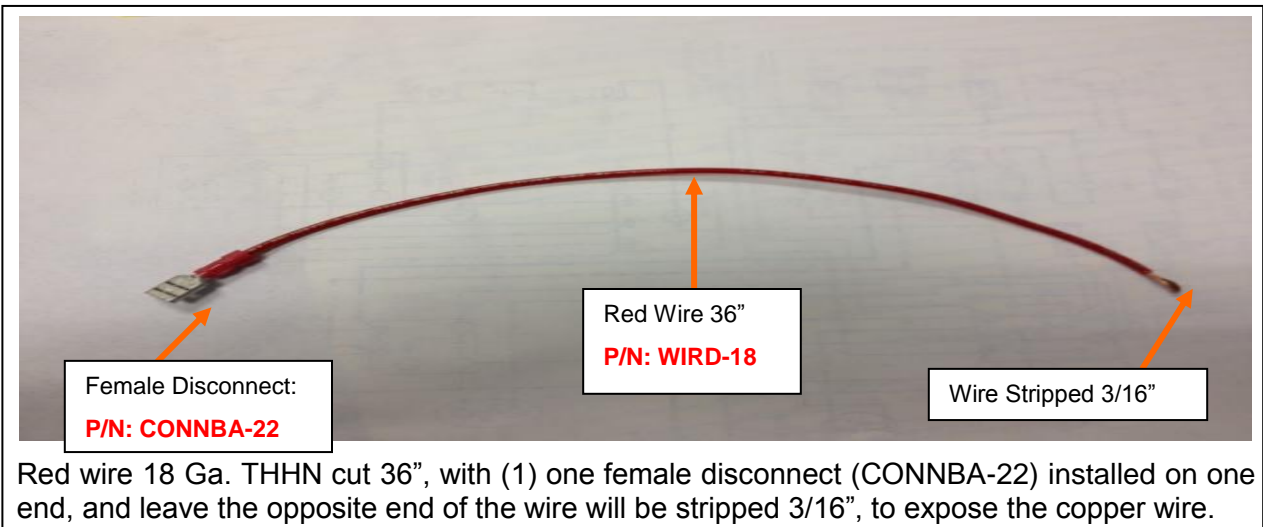
**Figure 1a. Blue Wire – 4.5” Long**



**Figure 1b. Orange/Black Wire – 4.5” Long**



**Figure 1c. Red Wire – 8” Long**



**Figure 1d. Red Wire – 36” Long**

## Installation



### IMPORTANT!

**READ THESE INSTALLATION INSTRUCTIONS COMPLETELY BEFORE PROCEEDING TO INSTALL!**



### WARNING

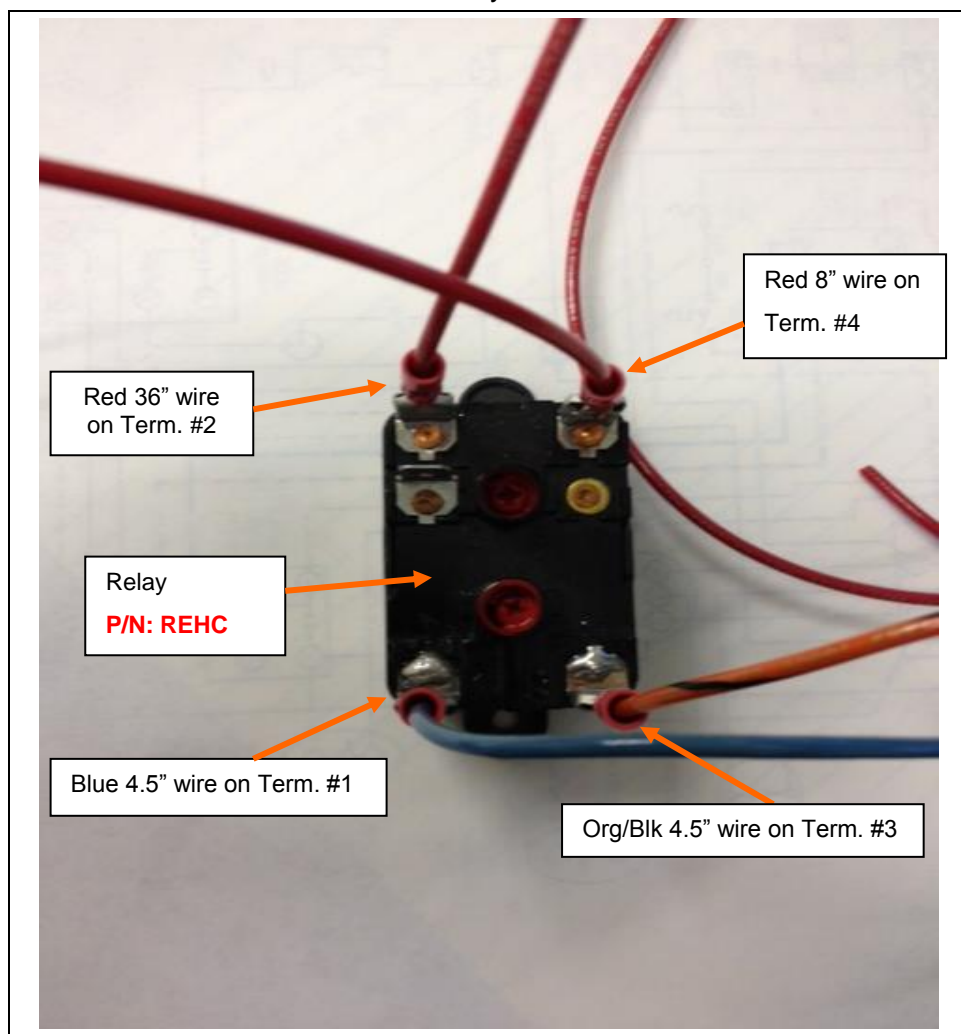
**BEFORE REMOVING ANY ACCESS PANELS AND INITIATING ANY PHASE OF THIS INSTALLATION MAKE SURE THAT POWER IS TURNED “OFF” TO ALL EARTHLINKED® AND FIELD SUPPLIED SYSTEM COMPONENTS. FAILURE TO DO SO COULD RESULT IN PROPERTY DAMAGE, SERIOUS INJURY OR DEATH.**



### WARNING

WEAR ADEQUATE PROTECTIVE CLOTHING AND PRACTICE ALL APPLICABLE SAFETY PRECAUTIONS WHILE INSTALLING THIS EQUIPMENT. FAILURE TO DO SO MAY RESULT IN EQUIPMENT AND/OR PROPERTY DAMAGE, PERSONAL INJURY OR DEATH.

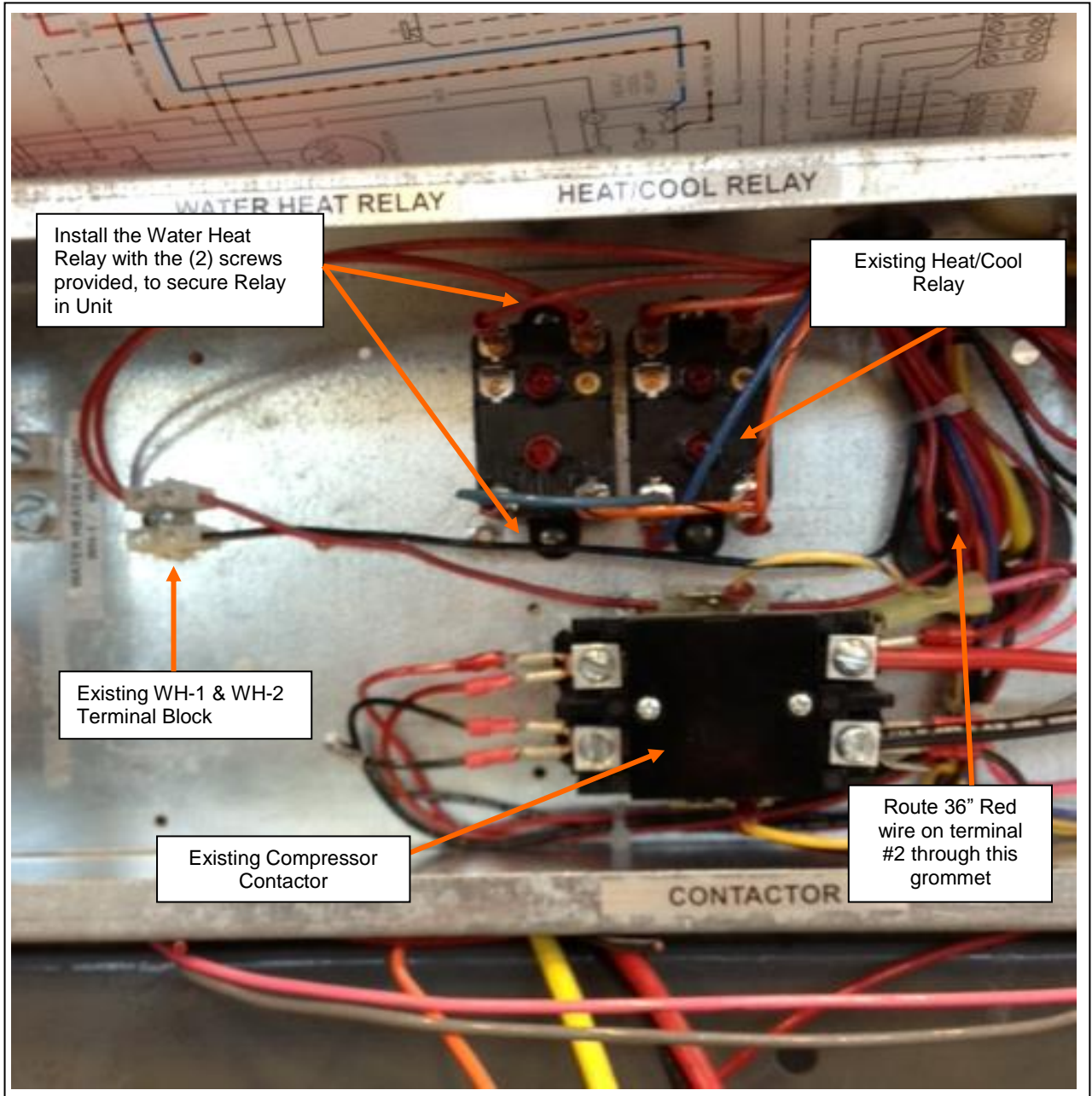
1. After ensuring the foregoing conditions have been met, remove the Compressor Unit cabinet cover and the electric box cover.
2. The (4) four wires will be installed onto the Water Heat Relay (P/N: REHC), as shown in Figure 2.
  - a. Blue 4.5" wire on the #1 terminal of the relay terminal tab.
  - b. Orange/Black 4.5" wire on the #3 terminal of the relay terminal tab.
  - c. Red 8" wire on the #4 terminal of the relay terminal tab.
  - d. Red 36" wire on the #2 terminal of the relay terminal tab.



**Figure 2. Assemble Wires to Water Heat Relay**

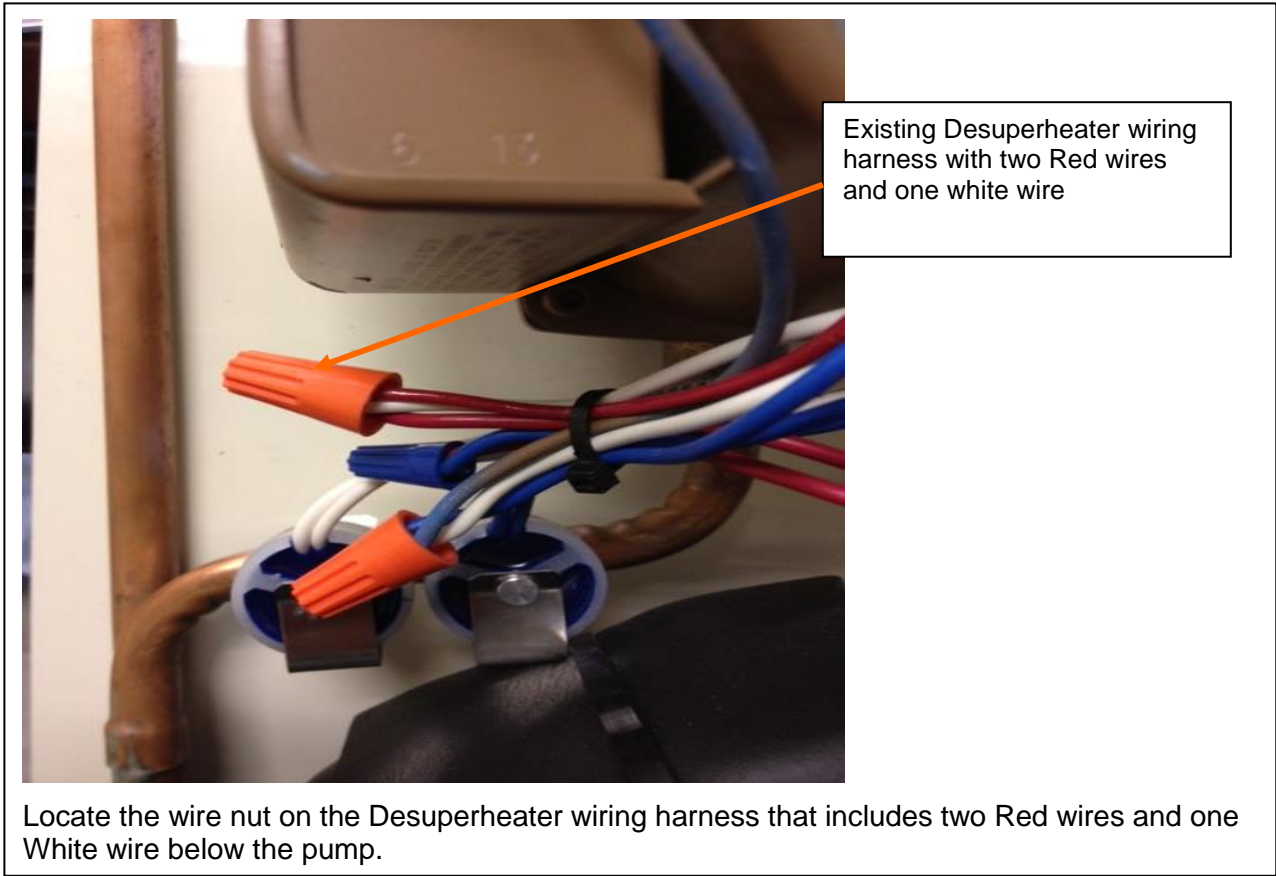


3. This complete Relay assembly (Figure 2), will be placed into the SD Electrical Box and secured into place with (2) Screws (P/N: SCRP-06-04), in the pre-drilled holes, next to the existing Heat/Cool Relay as shown in Figure 3, then route the 36" Red wire from terminal #2 through the grommet protected hole, to the area where it can be later connected to a Red wire below the pump (in Figure 6). Be sure to protect it from touching any copper tubing inside the cabinet to protect it from damage:

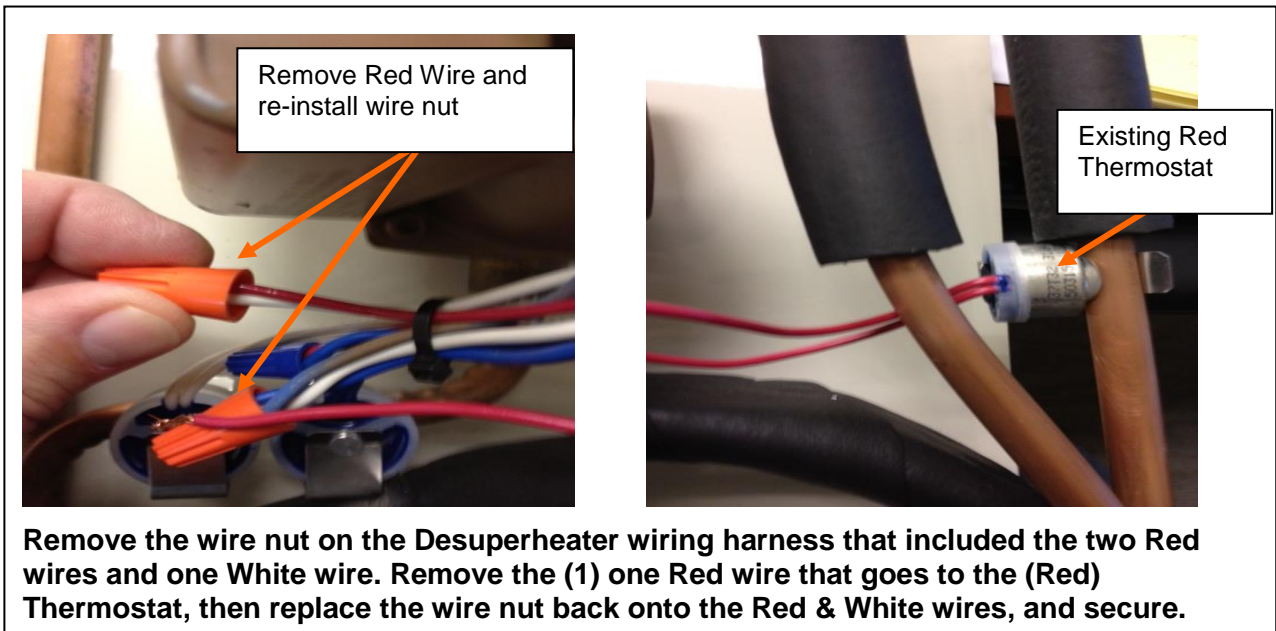


**Figure 3. Installing the Water Heat Relay Subassembly**

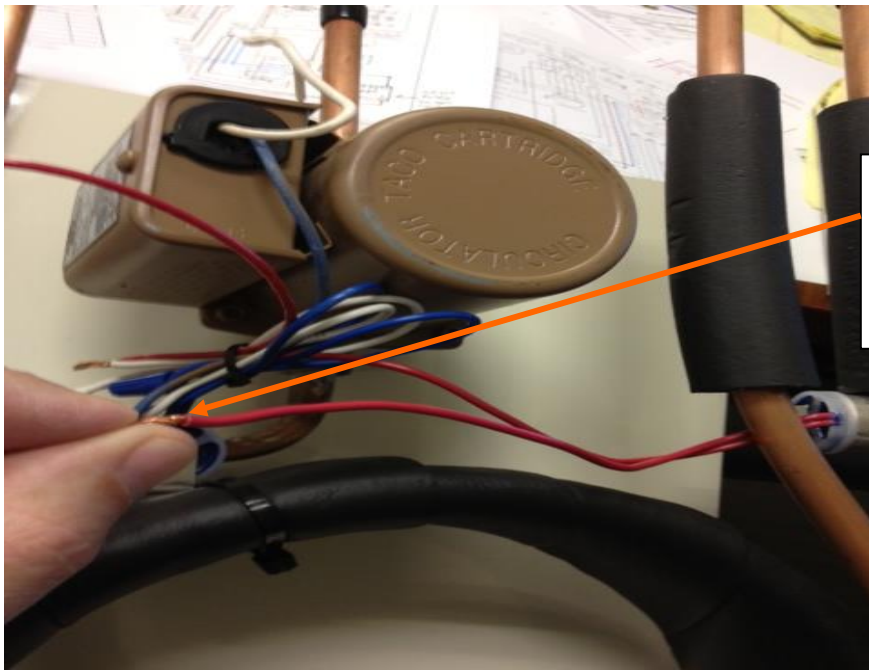
4. The following steps in Figures 4 through 9 must be completed to reconfigure the control wiring to the Desuperheater. Complete each step as shown:



**Figure 4. Control Wiring Installation – Step 1**



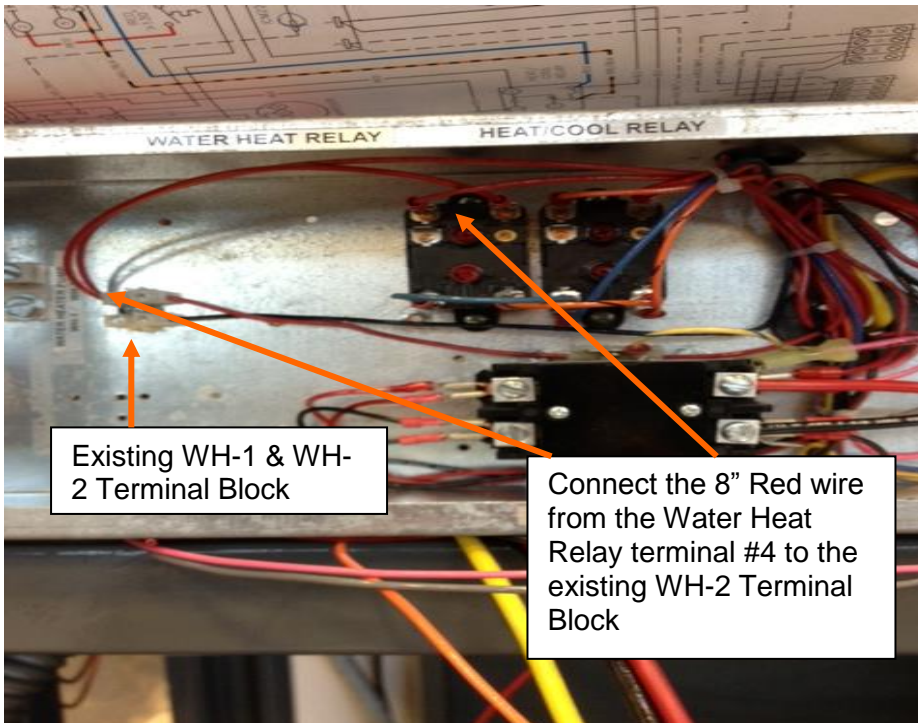
**Figure 5. Control Wiring Installation – Step 2**



Connect the Red wire from the Red Thermostat to the 36" Red wire from the Water Heat Relay terminal #2

Connect the 36" Red wire from the Water Heat Relay that's connected to terminal #2, to the (1) one Red wire from the (Red) Thermostat, and secure the two wires by installing a wire nut (field supplied).

**Figure 6. Control Wiring Installation – Step 3**



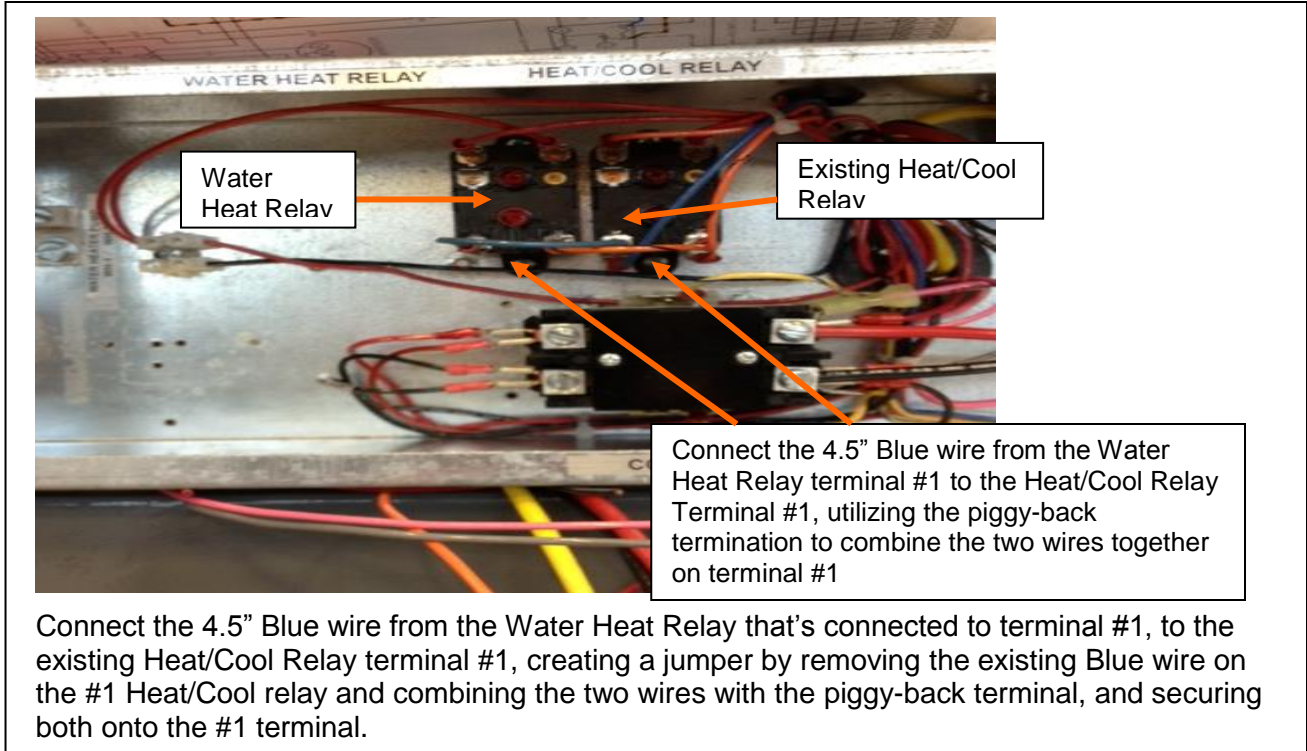
Existing WH-1 & WH-2 Terminal Block

Connect the 8" Red wire from the Water Heat Relay terminal #4 to the existing WH-2 Terminal Block

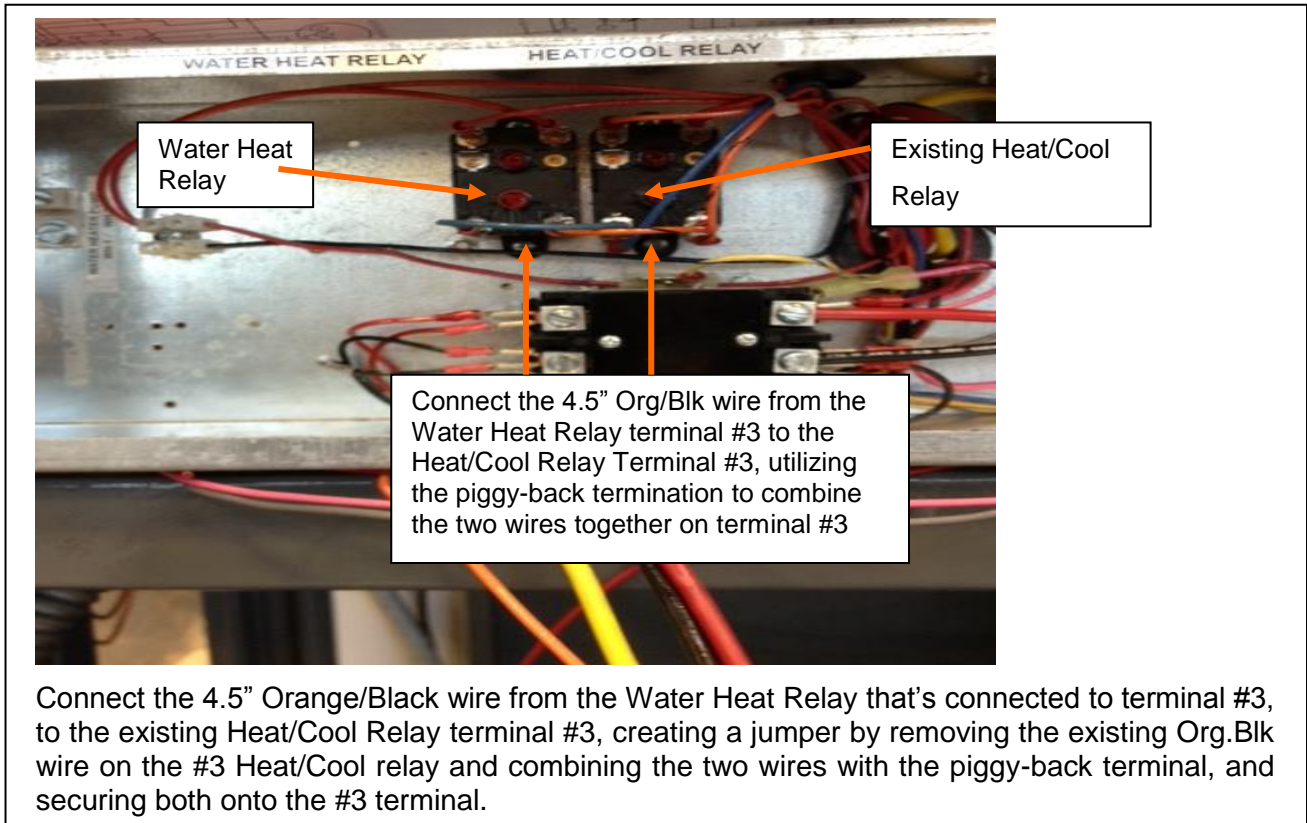
Connect the 8" Red wire from the Water Heat Relay that's connected to terminal #4, to the existing Terminal Block (WH-2), and secure the two wires by tightening the lug and verify that it's tight and secure.

**Figure 7. Control Wiring Installation – Step 4**



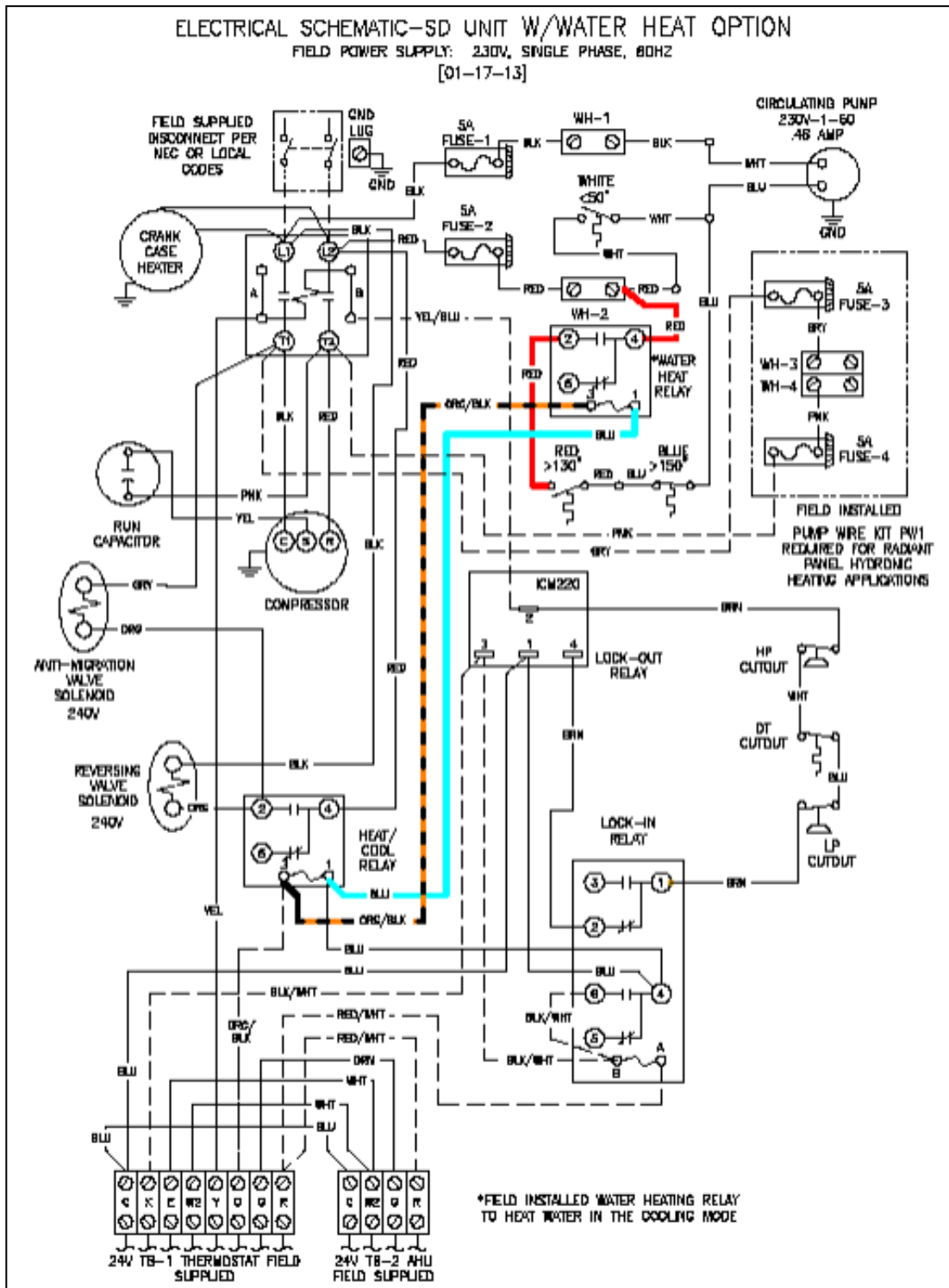


**Figure 8. Control Wiring Installation – Step 5**



**Figure 9. Control Wiring Installation – Step 6**

- This completes the connection of all the control wires. Compare your complete circuit to the highlighted schematic in Figure 10 for correct installation and correct if necessary.



- Install the Electrical Wiring Sticker to the inside of the compressor cabinet cover directly above the electric box cover. Check all wiring connections to ensure good contact at connections, and replace electric box cover and compressor cabinet cover before restoring power to all EarthLinked® system components. .