

R-410A Compressor Unit (60 Hz)

SCWD Data Sheet



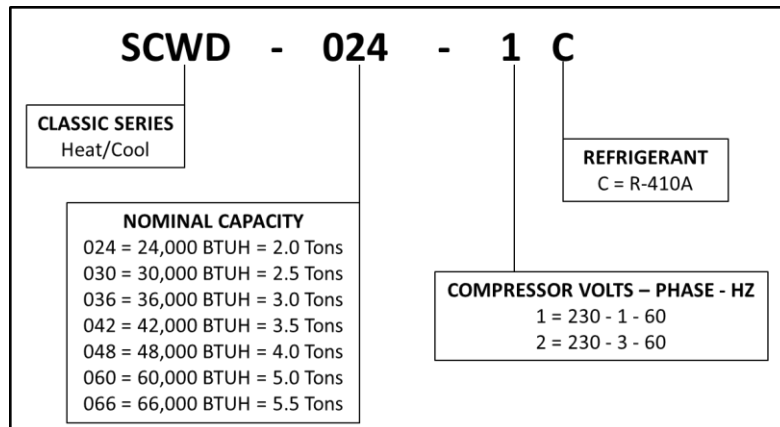
EARTHLINKED
TECHNOLOGIES

Shipping weight ~ 305 lbs

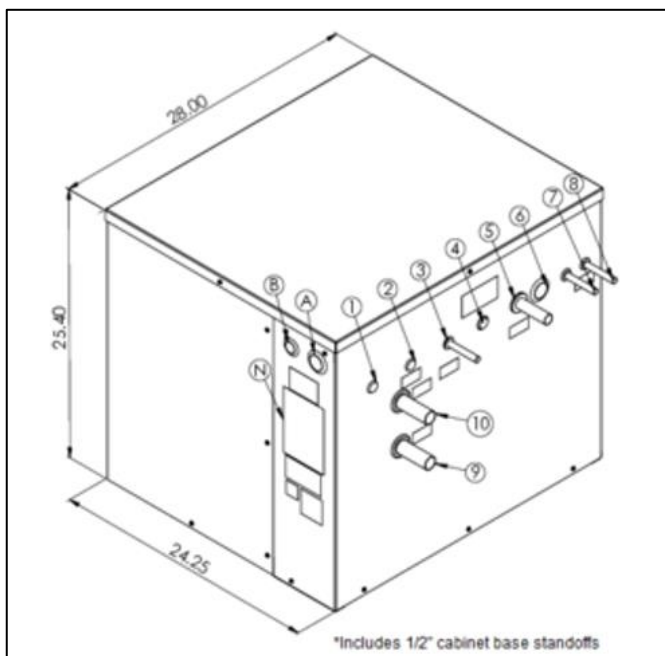
EarthLinked® System Application

Comp. Unit	Air Htg.	Air Clg.	Hydronic Htg.	Hydronic Clg.	Domestic Water Htg.
SCWD (single-speed)			✓	✓	✓

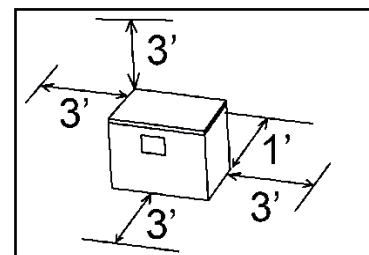
Compressor Unit Model Numbers



Dimensions and Connections



Compressor Unit Clearance



PORT	FUNCTION	TYPE OF CONNECTION	COMPRESSOR UNIT MODEL CONNECTION SIZE, INCHES						
			-024	-030	-036	-042	-048	-060	-066
A ¹	Electrical, Power	1-1/4" Hole	1	1	1	1	1	1	1
B ^{1,2}	Electrical, Control	7/8" Hole	3/4	3/4	3/4	3/4	3/4	3/4	3/4
1	Plugged	----	----	----	----	----	----	----	----
2	Plugged	----	----	----	----	----	----	----	----
3	EL Liquid*	Braze	3/8	3/8	1/2	1/2	1/2	1/2	1/2
4	Anode Socket	----	----	---	----	----	----	----	----
5	EL Vapor*	Braze	5/8	3/4	3/4	3/4	7/8	7/8	7/8
6	Plugged	----	----	----	----	----	----	----	----
7	Plugged	DWT Supply	Braze	1/2	1/2	1/2	1/2	1/2	1/2
8	Plugged	DWT Return	Braze	1/2	1/2	1/2	1/2	1/2	1/2
9	HWT Supply	Braze	7/8	7/8	7/8	1-1/8	1-1/8	1-1/8	1-1/8
10	HWT Return	Braze	7/8	7/8	7/8	1-1/8	1-1/8	1-1/8	1-1/8
N	Nameplate and other information	----	----	----	----	----	----	----	----

1: Nominal electrical connector sizes

2: Two additional electrical control ports on opposite side. Same size

*Line set sizes with provided compressor unit adapters

LEGEND

AH – Air Handler

CC – Cased Coil

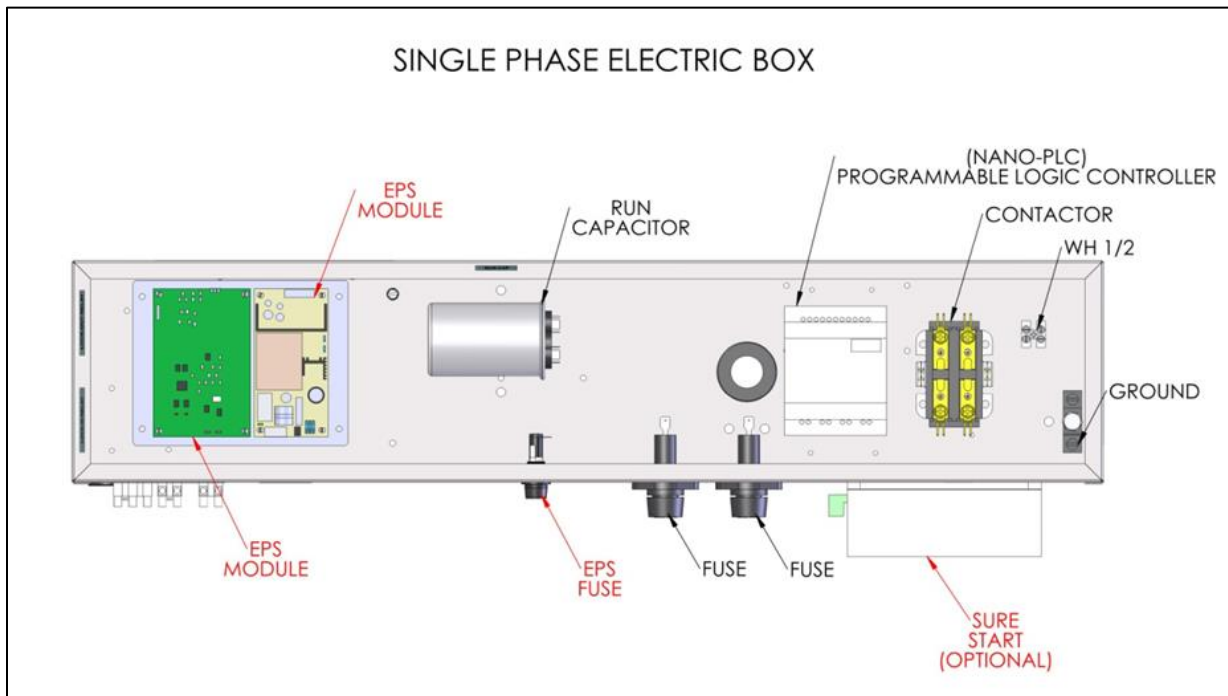
EL – Earth Loop

HWM – Hydronic Water Module

HWT – Hydronic Water Tank

DWT – Domestic Water Tank

Electrical Data



Comp. Unit Model	Compressor Model	Voltage/Phase/H z	Voltage		LRA	RLA	MCA	MFS
			Min.	Max.				
-024-1C	ZP25K6E-PFV	230-1-60	207	253	72.5	15.0	18.0	30
-024-2C	ZP25K6E-TF5	230-3-60	207	253	61.4	9.8	12.0	20
-030-1C	ZP31K5E-PFV	230-1-60	207	253	78.0	18.6	23.0	35
-030-2C	ZP31K5E-TF5	230-3-60	207	253	73.0	11.6	14.0	20
-036-1C	ZP38K5E-PFV	230-1-60	207	253	109.0	22.1	27.0	40
-036-2C	ZP38K5E-TP5	230-3-60	207	253	83.1	15.1	19.0	30
-042-1C	ZP44K5E-PFV	230-1-60	207	253	135.0	23.9	29.0	50
-042-2C	ZP44K5E-TF5	230-3-60	207	253	98.0	16.1	20.0	30
-048-1C	ZP51K5E-PFV	230-1-60	207	253	134.0	29.4	36.0	60
-048-2C	ZP51K5E-TF5	230-3-60	207	253	110.0	17.8	22.0	35
-060-1C	ZP61K5E-PFV	230-1-60	207	253	178.0	34.3	42.0	60
-060-2C	ZP61K5E-TF5	230-3-60	207	253	136.0	21.9	27.0	40
-066-1C	ZP67K5E-PFV	230-1-60	207	253	185	41.1	51.0	80
-066-2C	ZP67K5E-TF5	230-3-60	207	253	149	25.0	31.0	50

LRA = Locked Rotor Amps; RLA = Rated Load Amps; MCA = Minimum Circuit Ampacity; MFS = Maximum Fuse or HACR Circuit Breaker Size (External); Average Wire Size = Consult NEC and Local Codes

Field Wiring Diagram

